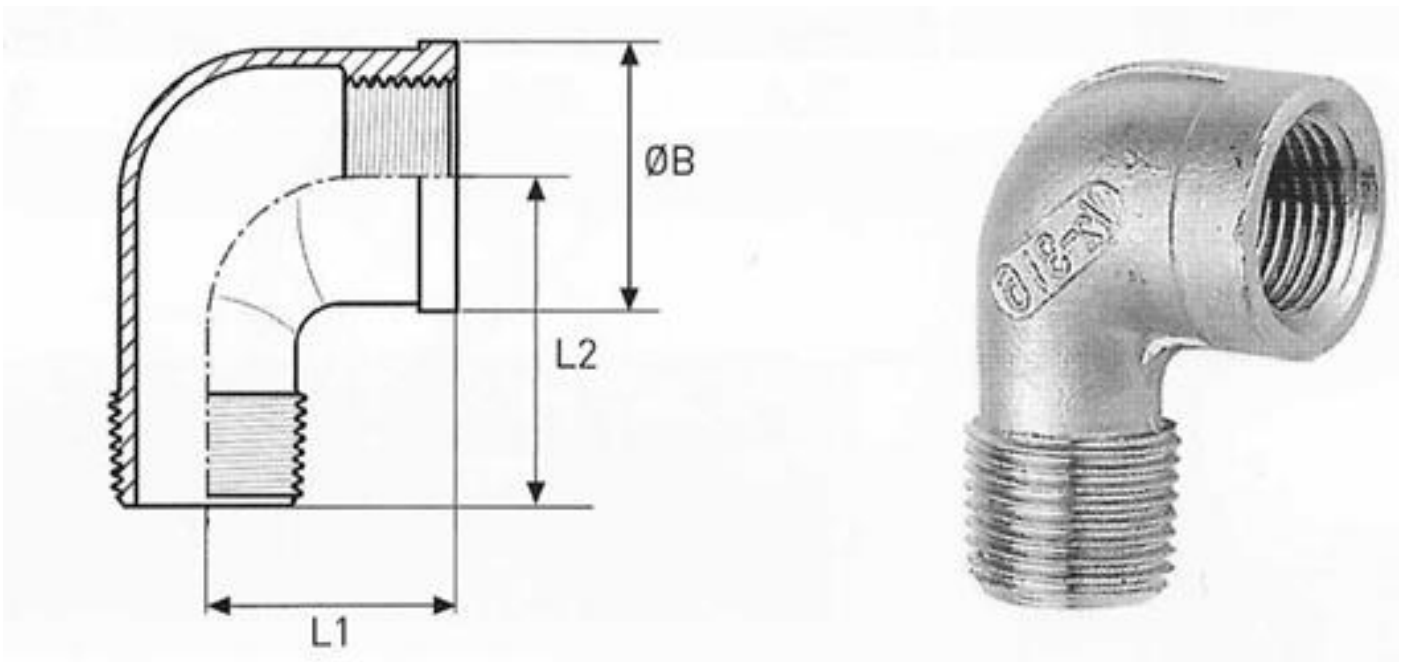


## CODO MACHO-HEMBRA



## Inox AISI 316 (A-4)

DN	ØB mm	L1 mm	L2 mm
1/8"	17,0	19,0	25,0
1/4"	21,0	21,0	28,3
3/8"	25,0	25,0	32,0
1/2"	29,0	28,0	42,0
3/4"	35,0	33,0	50,5
1"	43,0	38,0	52,0
1 1/4"	52,0	45,0	60,0
1 1/2"	58,8	50,0	65,0
2"	71,7	58,0	74,0
2 1/2"	86,2	69,0	101,0
3"	100,0	77,0	114,5
4"	126,5	97,0	146,5